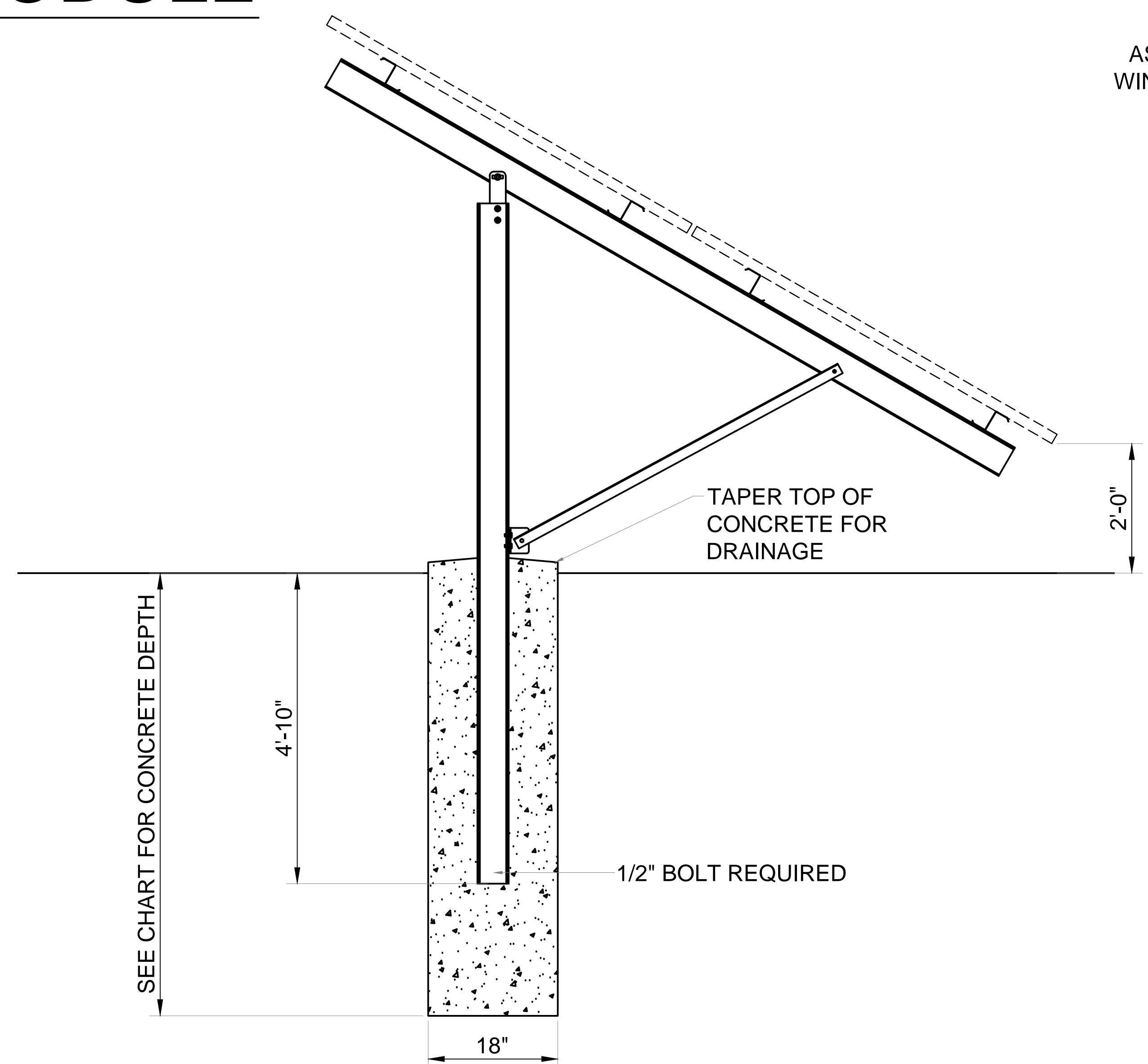
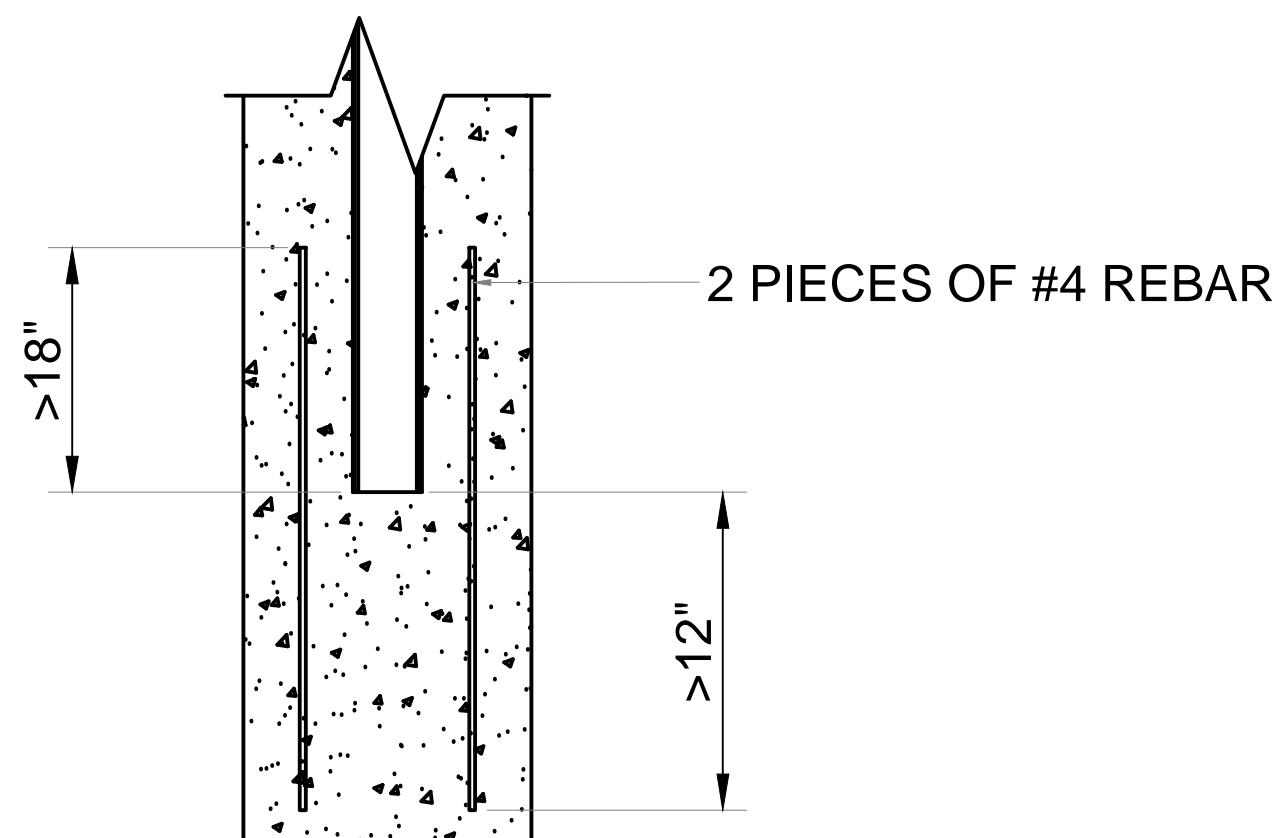


# 72 CELL MODULE



**TYPICAL FOUNDATION**



FOR FOUNDATIONS WITH GREATER THAN 12" BETWEEN BOTTOM OF POST AND BOTTOM OF CONCRETE, 2 PIECES OF #4 REBAR IS REQUIRED TO OVER LAP POST BY A MINIMUM OF 18"

## LEGEND

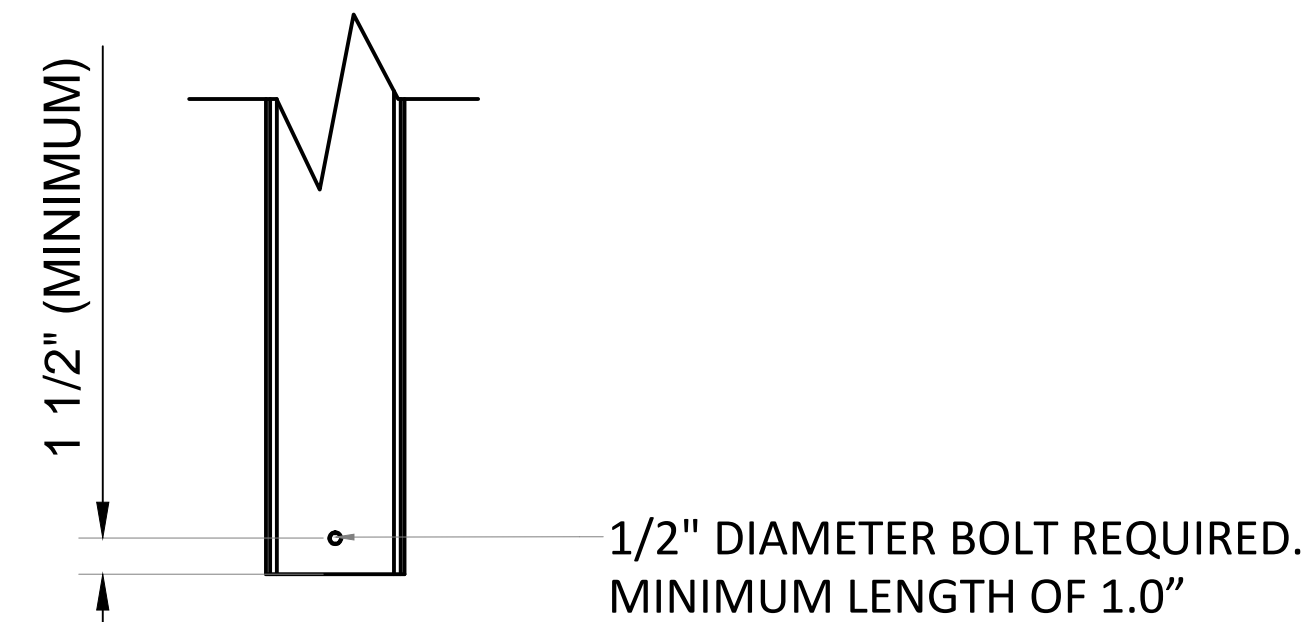
ASCE 7-05 WIND SPEED (MPH)	GROUND SNOW LOAD (PSF)			
	0	5	10	15
90	8.0/6.5/6.0	8.0/6.5/6.0	8.0/6.5/6.0	8.0/6.5/6.0
100	8.5/7.0/6.5	8.5/7.0/6.5	8.5/7.0/6.5	8.5/7.0/6.5
110	8.5/7.0/6.5	8.5/7.0/6.5	8.5/7.5/6.5	8.5/7.5/6.5
120	8.5/7.0/6.5	8.5/7.0/6.5	8.5/7.0/6.5	8.5/7.0/6.5

DEPTH OF CONCRETE BELOW GRADE  
EX. 8.5/7.0/6.5

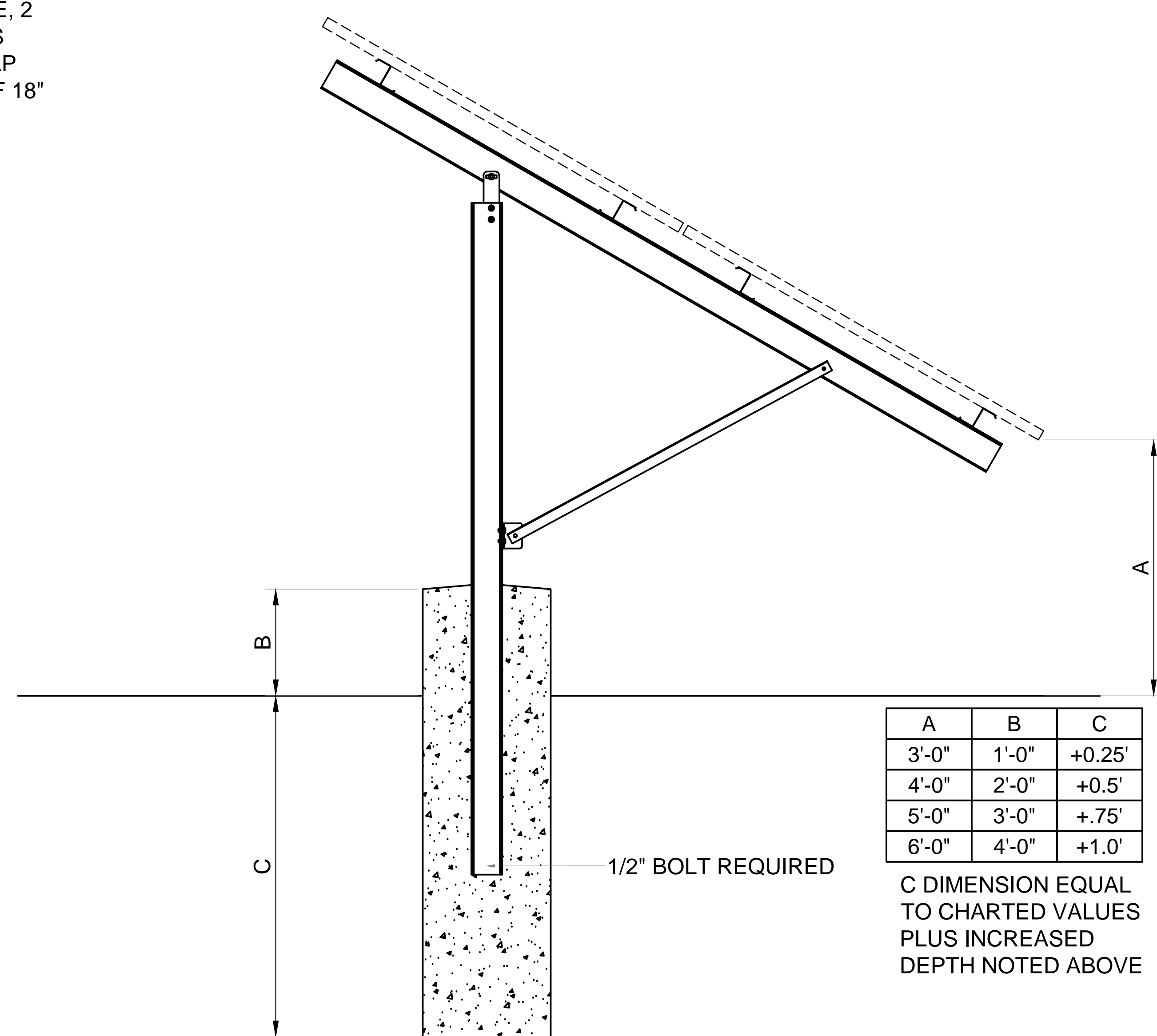
CLAY SAND GRAVEL

### NOTES:

1. PRESUMPTIVE LOAD BEARING VALUES FOR IBC SOIL CLASS 5/4/3 ASSUMED FOR CLAY/SAND/GRAVEL CALCULATIONS.
2. SOIL TYPE SHOULD BE VERIFIED BY LICENSED CIVIL OR GEOTECHNICAL ENGINEER.
3. A 24" DIAMETER HOLE CAN BE USED WITH A REDUCTION OF 0.5' FROM CHARTED DEPTH.



**BOTTOM OF POST DETAIL**



A	B	C
3'-0"	1'-0"	+0.25'
4'-0"	2'-0"	+0.5'
5'-0"	3'-0"	+0.75'
6'-0"	4'-0"	+1.0'

C DIMENSION EQUAL TO CHARTED VALUES PLUS INCREASED DEPTH NOTED ABOVE

**INCREASED LEADING EDGE FOUNDATION**

		2 x 6 ARRAY										
ASCE 7-05	ASCE 7-10	0	5	10	15	20	25	30	35	40	45	50
90	108	8.0/6.5/6.0	8.0/6.5/6.0	8.0/6.5/6.0	8.0/6.5/6.0	8.0/7.0/6.0	8.0/7.0/6.0	8.0/7.0/6.0	8.0/7.0/6.0	8.0/7.0/6.0	8.0/7.0/6.0	8.0/7.0/6.0
100	120	8.5/7.0/6.5	8.5/7.0/6.5	8.5/7.0/6.5	8.5/7.0/6.5	8.5/7.0/6.5	8.5/7.0/6.5	8.5/7.0/6.5	8.5/7.0/6.5	8.5/7.0/6.5	8.5/7.0/6.5	8.5/7.0/6.5
110	132	8.5/7.0/6.0	8.5/7.0/6.0	8.5/7.0/6.0	8.5/7.0/6.0	8.5/7.0/6.0	8.5/7.0/6.0	8.5/7.0/6.0	8.5/7.0/6.0	8.5/7.0/6.0	8.5/7.0/6.0	8.5/7.0/6.0
120	144	8.5/7.0/6.5	8.5/7.0/6.5	8.5/7.0/6.5	8.5/7.0/6.5	8.5/7.0/6.5	8.5/7.0/6.5	8.5/7.0/6.5	8.5/7.0/6.5	8.5/7.0/6.5	8.5/7.0/6.5	8.5/7.0/6.5

		2 x 7 ARRAY										
ASCE 7-05	ASCE 7-10	0	5	10	15	20	25	30	35	40	45	50
90	108	8.0/7.0/6.0	8.5/7.0/6.5	8.5/7.0/6.5	8.5/7.0/6.5	8.5/7.0/6.5	8.5/7.0/6.5	8.5/7.0/6.5	8.5/7.0/6.5	8.5/7.0/6.5	8.5/7.0/6.5	8.5/7.0/6.5
100	120	8.5/7.0/6.5	8.5/7.0/6.5	8.5/7.0/6.5	8.5/7.0/6.5	8.5/7.0/6.5	8.5/7.0/6.5	8.5/7.0/6.5	8.5/7.0/6.5	8.5/7.0/6.5	8.5/7.0/6.5	8.5/7.0/6.5
110	132	8.5/7.0/6.5	8.5/7.0/6.5	8.5/7.0/6.5	8.5/7.0/6.5	8.5/7.0/6.5	8.5/7.0/6.5	8.5/7.0/6.5	8.5/7.0/6.5	8.5/7.0/6.5	8.5/7.0/6.5	8.5/7.0/6.5
120	144	8.0/7.0/6.0	8.0/7.0/6.0	8.0/7.0/6.0	8.0/7.0/6.0	8.0/7.0/6.0	8.0/7.0/6.0	8.0/7.0/6.0	8.0/7.0/6.0	8.0/7.0/6.0	8.0/7.0/6.0	8.0/7.0/6.0

		2 x 8 ARRAY										
ASCE 7-05	ASCE 7-10	0	5	10	15	20	25	30	35	40	45	50
90	108	8.0/7.0/6.0	8.5/7.0/6.5	8.5/7.0/6.5	8.5/7.0/6.5	8.5/7.0/6.5	8.5/7.0/6.5	8.5/7.0/6.5	8.5/7.0/6.5	8.5/7.0/6.5	8.5/7.0/6.5	8.5/7.0/6.5
100	120	8.5/7.0/6.5	8.5/7.0/6.5	8.5/7.0/6.5	8.5/7.0/6.5	8.5/7.0/6.5	8.5/7.0/6.5	8.5/7.0/6.5	8.5/7.0/6.5	8.5/7.0/6.5	8.5/7.0/6.5	8.5/7.0/6.5
110	132	8.0/7.0/6.0	8.0/7.0/6.0	8.0/7.0/6.0	8.0/7.0/6.0	8.0/7.0/6.0	8.0/7.0/6.0	8.0/7.0/6.0	8.0/7.0/6.0	8.0/7.0/6.0	8.0/7.0/6.0	8.0/7.0/6.0
120	144	8.0/7.0/6.0	8.0/7.0/6.0	8.0/7.0/6.0	8.0/7.0/6.0	8.0/7.0/6.0	8.0/7.0/6.0	8.0/7.0/6.0	8.0/7.0/6.0	8.0/7.0/6.0	8.0/7.0/6.0	8.0/7.0/6.0

		2 x 9 ARRAY										
ASCE 7-05	ASCE 7-10	0	5	10	15	20	25	30	35	40	45	50
90	108	8.5/7.0/6.5	8.5/7.0/6.5	8.5/7.5/6.5	8.5/7.5/6.5	8.5/7.5/6.5	9.0/7.5/6.5	9.0/7.5/6.5	9.0/7.5/6.5	9.0/7.5/6.5	9.0/7.5/6.5	9.0/7.5/6.5
100	120	8.5/7.0/6.5	8.5/7.0/6.5	8.5/7.0/6.5	8.5/7.0/6.5	8.5/7.0/6.5	8.5/7.0/6.5	8.5/7.0/6.5	8.5/7.0/6.5	8.5/7.0/6.5	8.5/7.0/6.5	8.5/7.0/6.5
110	132	8.5/7.0/6.5	8.5/7.0/6.5	8.5/7.0/6.5	8.5/7.0/6.5	8.5/7.0/6.5	8.5/7.0/6.5	8.5/7.0/6.5	8.5/7.0/6.5	8.5/7.0/6.5	8.5/7.0/6.5	8.5/7.0/6.5
120	144	8.5/7.5/6.5	8.5/7.5/6.5	8.5/7.5/6.5	8.5/7.5/6.5	8.5/7.5/6.5	8.5/7.5/6.5	8.5/7.5/6.5	8.5/7.5/6.5	8.5/7.5/6.5	8.5/7.5/6.5	8.5/7.5/6.5

		2 x 10 ARRAY										
ASCE 7-05	ASCE 7-10	0	5	10	15	20	25	30	35	40	45	50
90	108	8.5/7.0/6.5	8.5/7.0/6.5	8.5/7.5/6.5	8.5/7.5/6.5	9.0/7.5/6.5	9.0/7.5/6.5	9.0/7.5/6.5	9.0/7.5/6.5	9.0/7.5/6.5	9.0/7.5/6.5	9.0/7.5/6.5
100	120	8.5/7.0/6.5	8.5/7.0/6.5	8.5/7.0/6.5	8.5/7.0/6.5	8.5/7.0/6.5	8.5/7.0/6.5	8.5/7.0/6.5	8.5/7.0/6.5	8.5/7.0/6.5	8.5/7.0/6.5	8.5/7.0/6.5
110	132	8.5/7.0/6.5	8.5/7.0/6.5	8.5/7.0/6.5	8.5/7.0/6.5	8.5/7.0/6.5	8.5/7.0/6.5	8.5/7.0/6.5	8.5/7.0/6.5	8.5/7.0/6.5	8.5/7.0/6.5	8.5/7.0/6.5
120	144	8.0/7.0/6.0	8.0/7.0/6.0	8.0/7.0/6.0	8.0/7.0/6.0	8.0/7.0/6.0	8.0/7.0/6.0	8.0/7.0/6.0	8.0/7.0/6.0	8.0/7.0/6.0	8.0/7.0/6.0	8.0/7.0/6.0

		2 x 11 ARRAY										
ASCE 7-05	ASCE 7-10	0	5	10	15	20	25	30	35	40	45	50
90	108	7.5/6.5/6.0	8.0/7.0/6.0	8.0/7.0/6.0	8.0/7.0/6.0	8.0/7.0/6.0	8.5/7.0/6.5	8.5/7.0/6.5	8.5/7.0/6.5	8.5/7.0/6.5	8.5/7.0/6.5	8.5/7.0/6.5
100	120	8.5/7.0/6.5	8.5/7.0/6.5	8.5/7.0/6.5	8.5/7.0/6.5	8.5/7.0/6.5	8.5/7.0/6.5	8.5/7.0/6.5	8.5/7.0/6.5	8.5/7.0/6.5	8.5/7.0/6.5	8.5/7.0/6.5
110	132	8.0/7.0/6.0	8.5/7.5/6.5	8.5/7.5/6.5	8.5/7.5/6.5	8.5/7.5/6.5	8.5/7.5/6.5	8.5/7.5/6.5	8.5/7.5/6.5	8.5/7.5/6.5	8.5/7.5/6.5	8.5/7.5/6.5
120	144	8.5/7.5/6.5	8.5/7.5/6.5	8.5/7.5/6.5	8.5/7.5/6.5	8.5/7.5/6.5	8.5/7.5/6.5	8.5/7.5/6.5	8.5/7.5/6.5	8.5/7.5/6.5	9.0/7.5/6.5	9.0/7.5/6.5

		2 x 12 ARRAY										
ASCE 7-05	ASCE 7-10	0	5	10	15	20	25	30	35	40	45	50
90	108	7.5/6.5/6.0	8.0/7.0/6.0	8.0/7.0/6.0	8.0/7.0/6.0	8.0/7.0/6.0	8.5/7.0/6.5	8.5/7.0/6.5	8.5/7.0/6.5	8.5/7.0/6.5	8.5/7.0/6.5	8.5/7.0/6.5
100	120	8.5/7.0/6.5	8.5/7.0/6.5	8.5/7.0/6.5	8.5/7.0/6.5	8.5/7.0/6.5	8.5/7.0/6.5	8.5/7.0/6.5	8.5/7.0/6.5	8.5/7.0/6.5	8.5/7.0/6.5	8.5/7.0/6.5
110	132	8.0/7.0/6.0	8.5/7.5/6.5	8.5/7.5/6.5	8.5/7.5/6.5	8.5/7.5/6.5	8.5/7.5/6.5	8.5/7.5/6.5	8.5/7.5/6.5	8.5/7.5/6.5	8.5/7.5/6.5	8.5/7.5/6.5
120	144	8.5/7.0/6.5	8.5/7.0/6.5	8.5/7.0/6.5	8.5/7.0/6.5	8.5/7.0/6.5	8.5/7.0/6.5	8.5/7.0/6.5	8.5/7.0/6.5	8.5/7.0/6.5	9.0/7.5/6.5	9.0/7.5/6.5

		2 x 13 ARRAY										
ASCE 7-05	ASCE 7-10	0	5	10	15	20	25	30	35	40	45	50
90	108	8.0/7.0/6.0	8.0/7.0/6.0	8.0/7.0/6.0	8.5/7.0/6.5	8.5/7.0/6.5	8.5/7.0/6.5	8.5/7.0/6.5	8.5/7.0/6.5	8.5/7.0/6.5	8.5/7.0/6.5	8.5/7.0/6.5
100	120	8.5/7.0/6.5	8.5/7.0/6.5	8.5/7.0/6.5	8.5/7.0/6.5	8.5/7.0/6.5	8.5/7.0/6.5	8.5/7.0/6.5	8.5/7.0/6.5	8.5/7.0/6.5	8.5/7.0/6.5	8.5/7.0/6.5
110	132	8.5/7.5/6.5	8.5/7.5/6.5	9.0/7.5/6.5	9.0/7.5/6.5	9.0/7.5/6.5	9.0/7.5/6.5	9.0/7.5/6.5	9.0/7.5/6.5	9.0/7.5/6.5	9.0/7.5/6.5	9.0/7.5/6.5
120	144	8.5/7.5/6.5	8.5/7.5/6.5	8.5/7.5/6.5	8.5/7.5/6.5	9.0/7.5/7.0	9.0/7.5/7.0	9.0/7.5/7.0	9.0/7.5/7.0	9.0/7.5/7.0	9.0/7.5/7.0	9.0/7.5/7.0

		2 x 14 ARRAY										
ASCE 7-05	ASCE 7-10	0	5	10	15	20	25	30	35	40	45	50
90	108	8.0/7.0/6.0	8.0/7.0/6.0	8.0/7.0/6.0	8.5/7.0/6.5	8.5/7.0/6.5	8.5/7.0/6.5	8.5/7.0/6.5	8.5/7.0/6.5	8.5/7.0/6.5	8.5/7.0/6.5	8.5/7.0/6.5
100	120	8.5/7.0/6.5	8.5/7.0/6.5	8.5/7.0/6.5	8.5/7.0/6.5	8.5/7.0/6.5	8.5/7.0/6.5	8.5/7.0/6.5	8.5/7.0/6.5	8.5/7.0/6.5	8.5/7.0/6.5	8.5/7.0/6.5
110	132	8.5/7.5/6.5	9.0/7.5/6.5	9.0/7.5/6.5	9.0/7.5/6.5	9.0/7.5/6.5	9.0/7.5/6.5	9.0/7.5/6.5	9.0/7.5/6.5	9.0/7.5/6.5	9.0/7.5/6.5	9.0/7.5/6.5
120	144	8.5/7.5/6.5	8.5/7.5/6.5	8.5/7.5/6.5	9.0/7.5/7.0	9.0/7.5/7.0	9.0/7.5/7.0	9.0/7.5/7.0	9.0/7.5/7.0	9.0/7.5/7.0	9.0/7.5/7.0	9.0/7.5/7.0

		2 x 15 ARRAY										
ASCE 7-05	ASCE 7-10	0	5	10	15	20	25	30	35	40	45	50
90	108	8.5/7.5/6.5	8.5/7.5/6.5	8.5/7.5/6.5	8.5/7.0/6.5	8.5/7.0/6.5	8.5/7.0/6.5	8.5/7.0/6.5	8.5/7.0/6.5	8.5/7.0/6.5	8.5/7.0/6.5	8.5/7.5/6.5
100	120	8.5/7.0/6.5	8.5/7.0/6.5	8.5/7.0/6.5	9.0/7.5/6.5	9.0/7.5/6.5	9.0/7.5/6.5	9.0/7.5/6.5	9.0/7.5/6.5	9.0/7.5/6.5	9.0/7.5/6.5	9.0/7.5/6.5
110	132	8.5/7.5/6.5	8.5/7.5/6.5	8.5/7.5/6.5	9.0/7.5/6.5	9.0/7.5/6.5	9.0/7.5/6.5	9.0/7.5/6.5	9.0/7.5/6.5	9.0/7.5/6.5	9.0/7.5/6.5	9.0/7.5/6.5
120	144	8.5/7.5/6.5	8.5/7.5/6.5	9.0/7.5/6.5	9.0/7.5/6.5	9.0/7.5/6.5	9.0/8.0/7.0	9.0/8.0/7.0	9.0/8.0/7.0	9.0/8.0/7.0	9.0/8.0/7.0	8.5/7.5/6.5

		2 x 16 ARRAY										
ASCE 7-05	ASCE 7-10	0	5	10	15	20	25	30	35	40	45	50
90	108	8.5/7.0/6.5	8.5/7.0/6.5	8.5/7.0/6.5	8.5/7.0/6.5	8.5/7.5/6.5	8.5/7.5/6.5	8.5/7.5/6.5	8.5/7.5/6.5	8.5/7.0/6.5	8.5/7.0/6.5	8.5/7.5/6.5
100	120	8.5/7.0/6.5	8.5/7.0/6.5	8.5/7.0/6.5	9.0/7.5/6.5	9.0/7.5/6.5	9.0/7.5/6.5	9.0/7.5/6.5	9.0/7.5/6.5	9.0/7.5/6.5	9.0/7.5/6.5	9.0/7.5/6.5
110	132	8.5/7.5/6.5	8.5/7.5/6.5	8.5/7.5/6.5	9.0/7.5/6.5	9.0/7.5/6.5	9.0/7.5/6.5	9.0/7.5/6.5	9.0/7.5/6.5	9.0/7.5/6.5	9.0/7.5/6.5	9.0/7.5/6.5
120	144	8.5/7.5/6.5	8.5/7.5/6.5	9.0/7.5/6.5	9.0/7.5/6.5	9.0/7.5/6.5	9.0/8.0/7.0	9.0/8.0/7.0	9.0/8.0/7.0	9.0/8.0/7.0	9.0/8.0/7.0	8.5/7.5/6.5