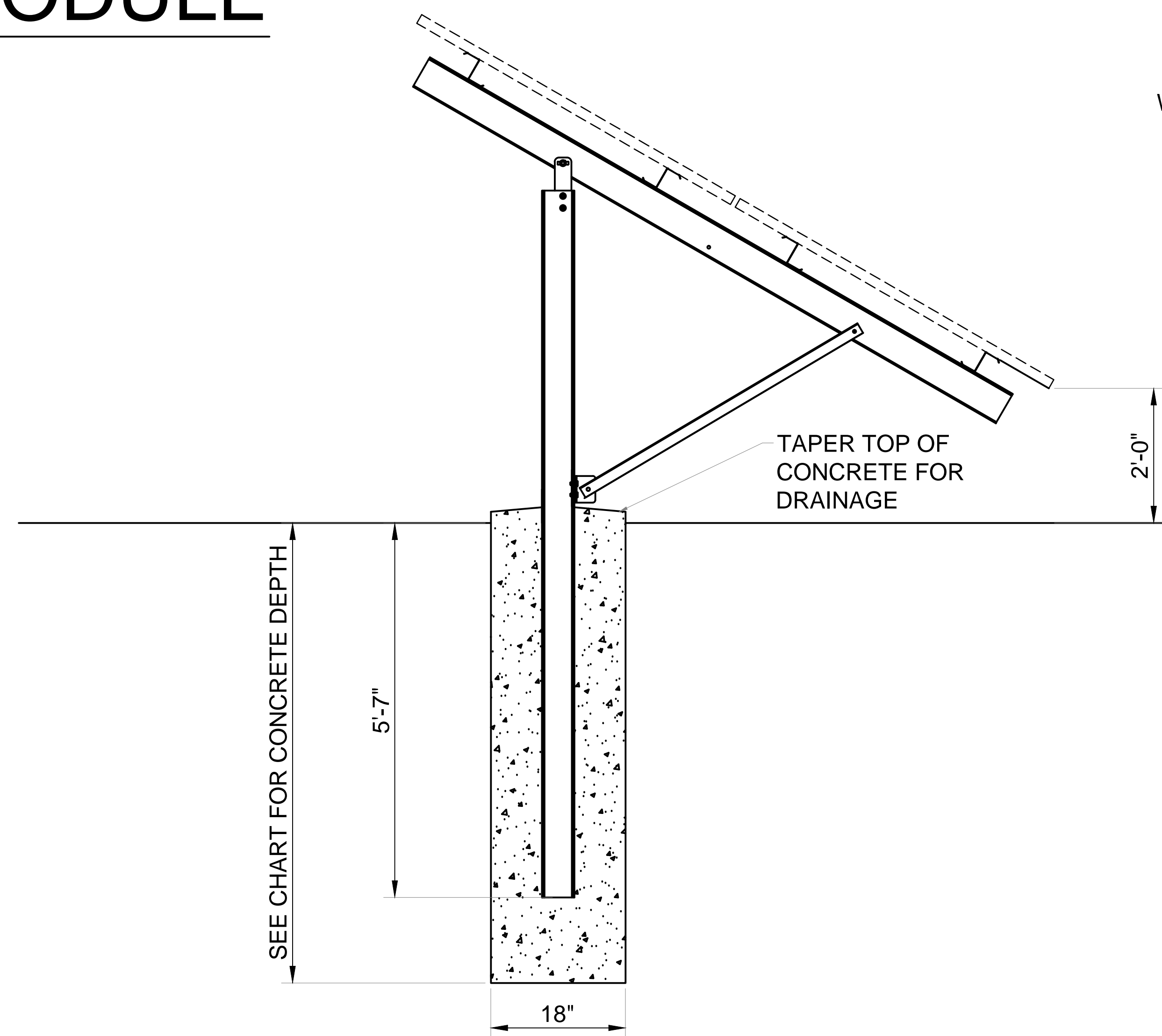
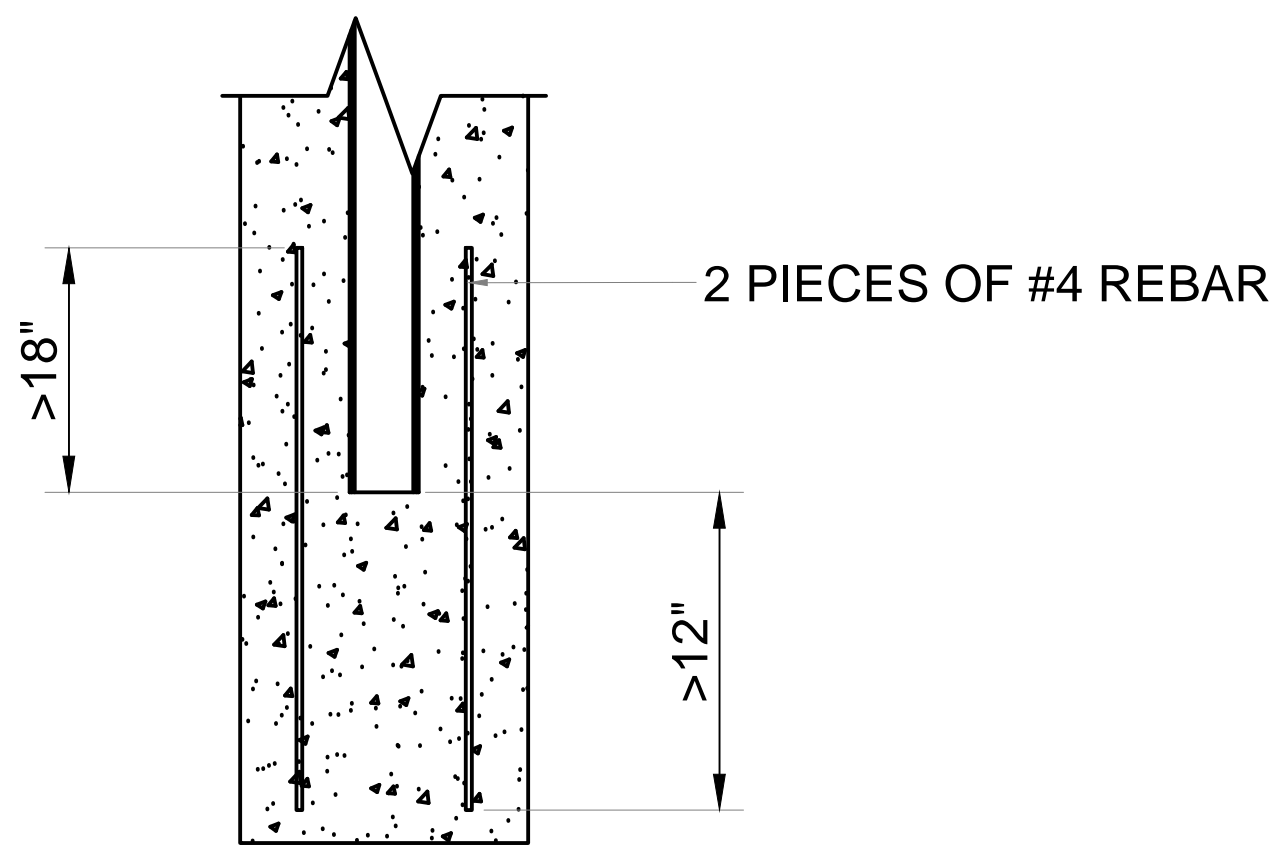


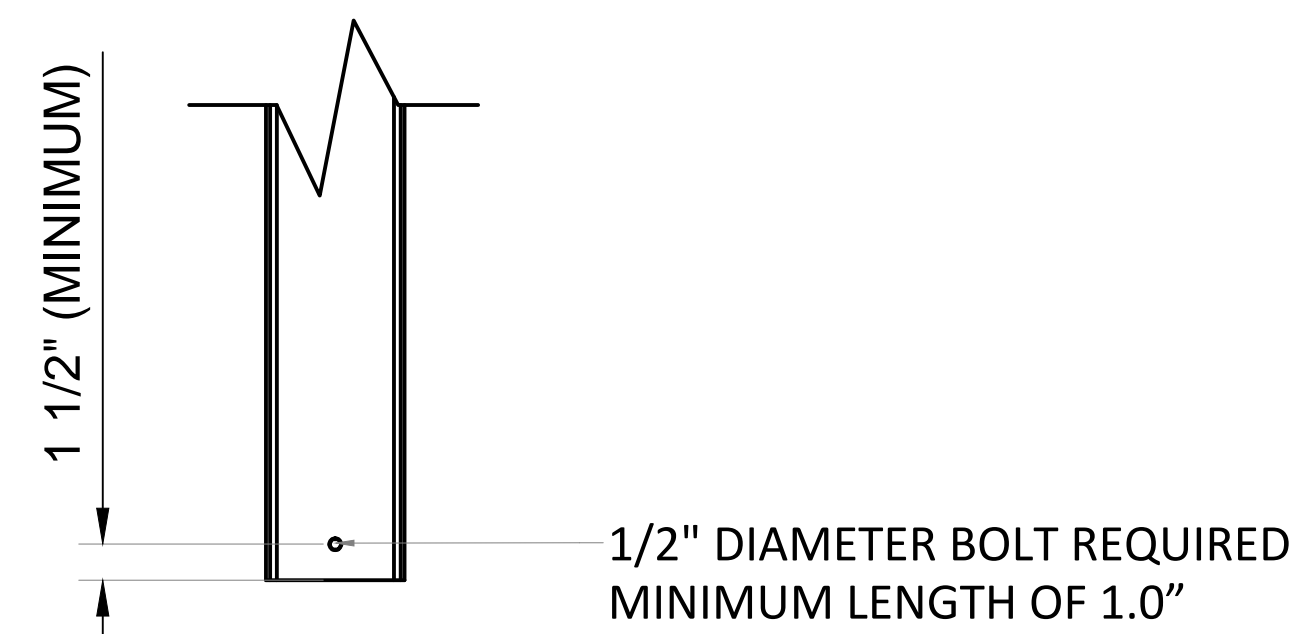
60 CELL MODULE



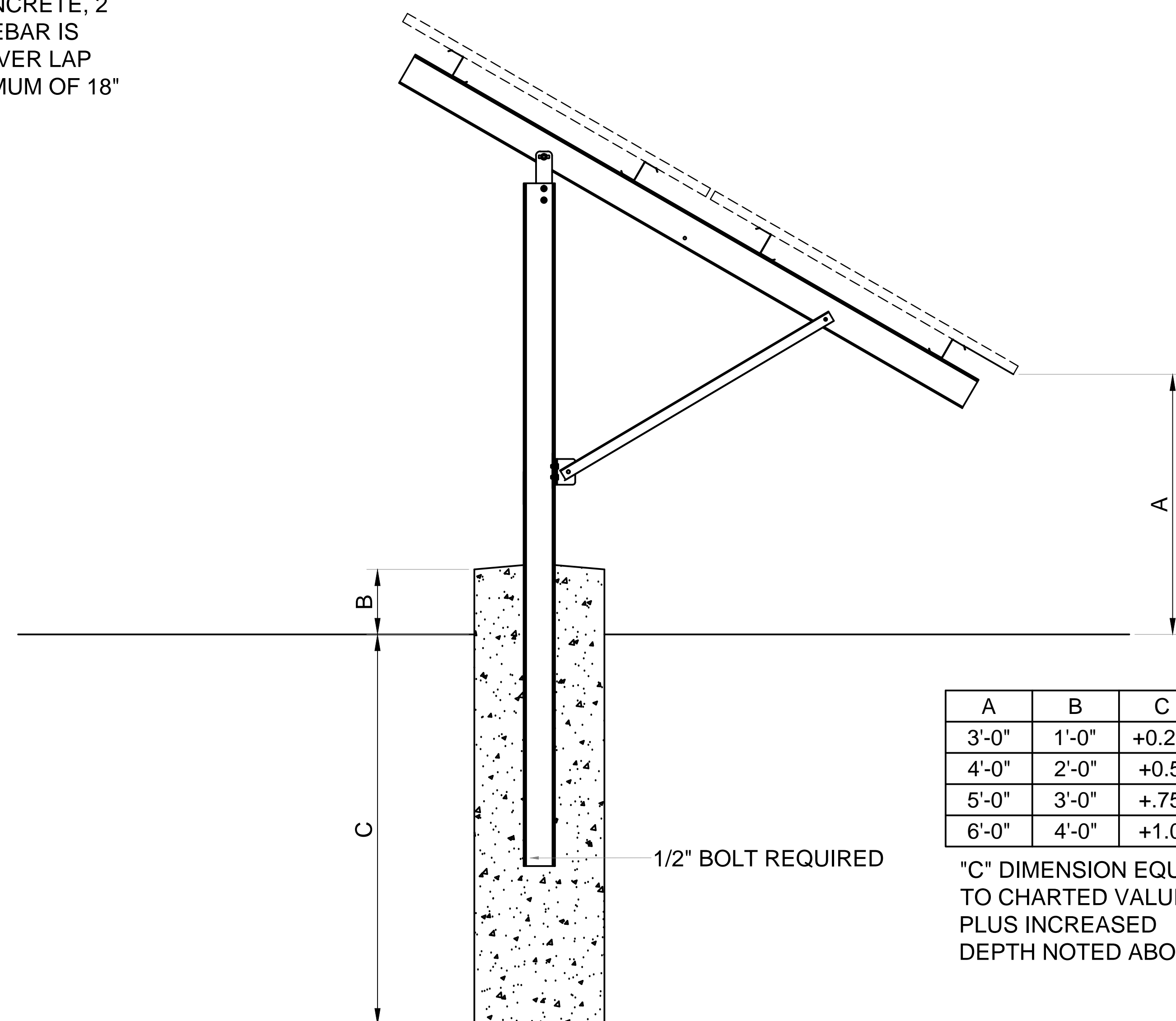
TYPICAL FOUNDATION



FOR FOUNDATIONS WITH GREATER THAN 12" BETWEEN BOTTOM OF POST AND BOTTOM OF CONCRETE, 2 PIECES OF #4 REBAR IS REQUIRED TO OVER LAP POST BY A MINIMUM OF 18"



BOTTOM OF POST DETAIL



INCREASED LEADING EDGE FOUNDATION

A	B	C
3'-0"	1'-0"	+0.25'
4'-0"	2'-0"	+0.5'
5'-0"	3'-0"	+0.75'
6'-0"	4'-0"	+1.0'

"C" DIMENSION EQUAL TO CHARTED VALUES PLUS INCREASED DEPTH NOTED ABOVE

LEGEND
GROUND SNOW LOAD (PSF)

ASCE 7-05 WIND SPEED (MPH)	0	5	10	15
90	8.0/6.5/6.0	8.0/6.5/6.0	8.0/6.5/6.0	8.0/6.5/6.0
100	8.5/7.0/6.5	8.5/7.0/6.5	8.5/7.0/6.5	8.5/7.0/6.5
110	8.5/7.0/6.5	8.5/7.0/6.5	8.5/7.5/6.5	8.5/7.5/6.5
120	8.5/7.0/6.5	8.5/7.0/6.5	8.5/7.0/6.5	8.5/7.0/6.5

DEPTH OF CONCRETE BELOW GRADE
EX. 8.5/7.0/6.5
CLAY SAND GRAVEL

- NOTES:
1. PRESUMPTIVE LOAD BEARING VALUES FOR IBC SOIL CLASS 5/4/3 ASSUMED FOR CLAY/SAND/GRAVEL CALCULATIONS.
 2. SOIL TYPE SHOULD BE VERIFIED BY LICENSED CIVIL OR GEOTECHNICAL ENGINEER.
 3. A 24" DIAMETER HOLE CAN BE USED WITH A REDUCTION OF 0.5' FROM CHARTED DEPTH.

2 x 6 ARRAY

ASCE 7-05	ASCE 7-10	0	5	10	15	20	25	30	35	40	45	50
90	108	8.0/6.5/6.0	8.0/6.5/6.0	8.0/6.5/6.0	8.0/6.5/6.0	8.0/7.0/6.0	8.0/7.0/6.0	8.0/7.0/6.0	8.5/7.0/6.5	8.5/7.0/6.5	7.5/6.5/6.0	7.5/6.5/6.0
100	120	8.5/7.0/6.5	8.5/7.0/6.5	8.5/7.0/6.5	8.5/7.0/6.5	8.5/7.0/6.5	8.5/7.0/6.5	8.5/7.0/6.5	8.5/7.0/6.5	8.5/7.0/6.5	8.5/7.0/6.5	8.5/7.0/6.5
110	132	8.5/7.0/6.5	8.5/7.0/6.5	8.5/7.5/6.5	8.5/7.5/6.5	8.5/7.5/6.5	8.5/7.5/6.5	8.5/7.5/6.5	8.5/7.5/6.5	8.5/7.5/6.5	8.5/7.5/6.5	8.5/7.5/6.5
120	144	8.5/7.0/6.5	8.5/7.0/6.5	8.5/7.0/6.5	8.5/7.0/6.5	8.5/7.0/6.5	8.5/7.0/6.5	8.5/7.5/6.5	8.5/7.5/6.5	9.0/7.5/6.5	9.0/7.5/6.5	9.0/7.5/6.5

2 x 7 ARRAY

ASCE 7-05	ASCE 7-10	0	5	10	15	20	25	30	35	40	45	50
90	108	7.5/6.5/6.0	7.5/6.5/6.0	7.5/6.5/6.0	7.5/6.5/6.0	7.5/6.5/6.0	7.5/6.5/6.0	7.5/6.5/6.0	7.5/6.5/6.0	7.5/6.5/6.0	7.5/6.5/6.0	7.5/6.5/6.0
100	120	8.0/7.0/6.0	8.0/7.0/6.0	8.0/7.0/6.0	8.0/7.0/6.0	8.0/7.0/6.0	8.0/7.0/6.0	8.0/7.0/6.0	8.5/7.0/6.5	8.5/7.0/6.5	8.5/7.0/6.5	8.5/7.0/6.5
110	132	8.5/7.0/6.5	8.5/7.0/6.5	8.5/7.0/6.5	8.5/7.0/6.5	8.5/7.0/6.5	8.5/7.0/6.5	8.5/7.0/6.5	8.5/7.0/6.5	8.5/7.0/6.5	8.5/7.0/6.5	8.5/7.0/6.5
120	144	8.5/7.0/6.5	8.5/7.0/6.5	8.5/7.0/6.5	8.5/7.0/6.5	8.5/7.0/6.5	8.5/7.0/6.5	8.5/7.5/6.5	8.5/7.5/6.5	9.0/7.5/6.5	9.0/7.5/6.5	9.0/7.5/6.5

2 x 8 ARRAY

ASCE 7-05	ASCE 7-10	0	5	10	15	20	25	30	35	40	45	50
90	108	8.0/7.0/6.0	8.5/7.0/6.5	8.5/7.0/6.5	8.5/7.0/6.5	8.5/7.0/6.5	8.5/7.0/6.5	8.5/7.0/6.5	8.5/7.0/6.5	8.5/7.0/6.5	8.5/7.5/6.5	8.5/7.5/6.5
100	120	8.5/7.0/6.5	8.5/7.0/6.5	8.5/7.0/6.5	8.5/7.0/6.5	8.5/7.0/6.5	8.5/7.0/6.5	8.5/7.0/6.5	8.5/7.0/6.5	8.5/7.0/6.5	8.5/7.5/6.5	8.5/7.5/6.5
110	132	8.5/7.0/6.5	8.5/7.0/6.5	8.5/7.0/6.5	8.5/7.5/6.5	8.5/7.5/6.5	8.5/7.5/6.5	8.5/7.5/6.5	8.5/7.5/6.5	8.5/7.5/6.5	9.0/7.5/7.0	9.0/7.5/7.0
120	144	8.0/7.0/6.0	8.0/7.0/6.0	8.0/7.0/6.0	8.0/7.0/6.0	8.0/7.0/6.0	8.0/7.0/6.5	8.5/7.0/6.5	8.5/7.0/6.5	8.5/7.0/6.5	8.5/7.0/6.5	8.5/7.0/6.5

2 x 9 ARRAY

ASCE 7-05	ASCE 7-10	0	5	10	15	20	25	30	35	40	45	50
90	108	8.0/7.0/6.0	8.5/7.0/6.5	8.5/7.0/6.5	8.5/7.0/6.5	8.5/7.0/6.5	8.5/7.0/6.5	8.5/7.0/6.5	8.5/7.0/6.5	8.5/7.0/6.5	8.5/7.0/6.5	8.5/7.0/6.5
100	120	8.5/7.0/6.5	8.5/7.0/6.5	8.5/7.0/6.5	8.5/7.0/6.5	8.5/7.0/6.5	8.5/7.0/6.5	8.5/7.0/6.5	8.5/7.0/6.5	8.5/7.0/6.5	8.5/7.0/6.5	8.5/7.0/6.5
110	132	8.5/7.0/6.5	8.5/7.0/6.5	8.0/7.0/6.0	8.0/7.0/6.0	8.0/7.0/6.0	8.0/7.0/6.0	8.5/7.0/6.5	8.5/7.0/6.5	8.5/7.0/6.5	8.5/7.0/6.5	8.5/7.0/6.5
120	144	8.0/7.0/6.0	8.0/7.0/6.0	8.0/7.0/6.0	8.0/7.0/6.0	8.0/7.0/6.0	8.0/7.0/6.5	8.5/7.0/6.5	8.5/7.0/6.5	8.5/7.0/6.5	8.5/7.0/6.5	8.5/7.0/6.5

2 x 10 ARRAY

ASCE 7-05	ASCE 7-10	0	5	10	15	20	25	30	35	40	45	50
90	108	8.5/7.0/6.5	8.5/7.0/6.5	8.5/7.5/6.5	8.5/7.5/6.5	8.5/7.5/6.5	9.0/7.5/6.5	9.0/7.5/6.5	9.0/7.5/6.5	7.5/6.5/6.0	8.0/7.0/6.0	8.0/7.0/6.0
100	120	8.5/7.0/6.5	8.5/7.0/6.5	8.5/7.0/6.5	8.5/7.0/6.5	8.5/7.0/6.5	8.0/7.0/6.5	8.0/7.0/6.5	8.0/7.0/6.5	8.5/7.0/6.5	8.5/7.0/6.5	8.5/7.0/6.5
110	132	8.5/7.0/6.5	8.5/7.0/6.5	8.5/7.0/6.5	8.5/7.0/6.5	8.5/7.0/6.5	8.5/7.5/6.5	8.5/7.5/6.5	8.5/7.5/6.5	8.5/7.5/6.5	8.5/7.5/6.5	8.5/7.5/6.5
120	144	8.5/7.5/6.5	8.5/7.5/6.5	8.5/7.5/6.5	8.5/7.5/6.5	8.5/7.5/6.5	8.5/7.5/6.5	8.5/7.5/6.5	8.5/7.5/6.5	8.5/7.5/6.5	8.5/7.5/6.5	8.5/7.5/6.5

2 x 11 ARRAY

ASCE 7-05	ASCE 7-10	0	5	10	15	20	25	30	35	40	45	50
90	108	8.5/7.0/6.5	8.5/7.0/6.5	8.5/7.5/6.5	8.5/7.5/6.5	9.0/7.5/6.5	9.0/7.5/6.5	7.5/6.5/6.0	7.5/6.5/6.0	8.0/7.0/6.0	8.0/7.0/6.0	8.0/7.0/6.0
100	120	8.5/7.0/6.5	8.5/7.5/6.5	8.5/7.5/6.5	8.5/7.5/6.5	8.5/7.0/6.5	8.5/7.0/6.5	8.5/7.0/6.5	8.5/7.0/6.5	8.5/7.0/6.5	8.5/7.0/6.5	8.5/7.0/6.5
110	132	8.5/7.5/6.5	8.5/7.5/6.5	8.5/7.5/6.5	8.5/7.5/6.5	8.5/7.5/6.5	8.5/7.5/6.5	8.5/7.5/6.5	8.5/7.5/6.5	8.5/7.5/6.5	8.5/7.5/6.5	8.5/7.5/6.5
120	144	8.0/7.0/6.0	8.0/7.0/6.0	8.0/7.0/6.0	8.0/7.0/6.0	8.0/7.0/6.0	8.5/7.5/6.5	8.5/7.5/6.5	8.5/7.5/6.5	8.5/7.5/6.5	8.5/7.5/6.5	8.5/7.5/6.5

2 x 12 ARRAY

ASCE 7-05	ASCE 7-10	0	5	10	15	20	25	30	35	40	45	50
90	108	8.5/7.0/6.5	8.5/7.0/6.5	8.5/7.5/6.5	8.5/7.5/6.5	8.0/7.0/6.0	8.5/7.0/6.5	8.5/7.0/6.5	8.5/7.0/6.5	8.5/7.0/6.5	8.5/7.0/6.5	8.5/7.0/6.5
100	120	8.5/7.0/6.5	8.5/7.0/6.5	8.5/7.0/6.5	8.5/7.0/6.5	8.5/7.5/6.5	8.5/7.5/6.5	8.5/7.5/6.5	8.5/7.5/6.5	8.5/7.5/6.5	8.5/7.5/6.5	8.5/7.5/6.5
110	132	8.5/7.5/6.5	8.5/7.5/6.5	8.5/7.5/6.5	8.5/7.5/6.5	8.5/7.5/6.5	8.5/7.5/6.5	8.5/7.5/6.5	8.5/7.5/6.5	8.5/7.5/6.5	8.5/7.5/6.5	8.5/7.5/6.5
120	144	8.5/7.5/6.5	8.5/7.5/6.5	8.5/7.5/6.5	8.5/7.5/6.5	8.5/7.5/6.5	8.5/7.5/6.5	8.5/7.5/6.5	8.5/7.5/6.5	8.5/7.5/6.5	8.5/7.5/6.5	8.5/7.5/6.5

2 x 13 ARRAY

ASCE 7-05	ASCE 7-10	0	5	10	15	20	25	30	35	40	45	50
90	108	7.5/6.5/6.0	8.0/7.0/6.0	8.0/7.0/6.0	8.0/7.0/6.0	8.0/7.0/6.0	8.5/7.0/6.5	8.5/7.0/6.5	8.5/7.0/6.5	8.5/7.0/6.5	8.5/7.0/6.5	8.5/7.0/6.5
100	120	8.5/7.0/6.5	8.5/7.0/6.5	8.5/7.0/6.5	8.5/7.0/6.5	8.5/7.5/6.5	8.5/7.5/6.5	8.5/7.5/6.5	8.5/7.5/6.5	8.5/7.5/6.5	8.5/7.5/6.5	8.5/7.5/6.5
110	132	8.0/7.0/6.0	8.5/7.5/6.5	8.5/7.5/6.5	8.5/7.5/6.5	8.5/7.5/6.5	8.5/7.5/6.5	8.5/7.5/6.5	8.5/7.5/6.5	8.5/7.5/6.5	8.5/7.5/6.5	8.5/7.5/6.5
120	144	8.5/7.0/6.5	8.5/7.0/6.5	8.5/7.0/6.5	8.5/7.0/6.5	8.5/7.0/6.5	8.5/7.0/6.5	8.5/7.0/6.5	8.5/7.5/6.5	8.5/7.5/6.5	9.0/7.5/6.5	9.0/7.5/6.5

2 x 14 ARRAY

ASCE 7-05	ASCE 7-10	0	5	10	15	20	25	30	35	40	45	50
90	108	8.0/7.0/6.0	8.0/7.0/6.0	8.0/7.0/6.0	8.5/7.0/6.5	8.5/7.0/6.5	8.5/7.5/6.5	8.5/7.5/6.5	8.5/7.5/6.5	8.5/7.5/6.5	8.5/7.0/6.5	8.5/7.0/6.5
100	120	8.5/7.0/6.5	8.5/7.0/6.5	8.5/7.0/6.5	8.5/7.0/6.5	8.5/7.0/6.5	8.5/7.0/6.5	8.5/7.0/6.5	8.5/7.0/6.5	8.5/7.0/6.5	8.5/7.5/6.5	8.5/7.5/6.5
110	132	8.5/7.5/6.5	8.5/7.5/6.5	9.0/7.5/6.5	9.0/7.5/6.5	9.0/7.5/6.5	9.0/7.5/6.5	9.0/7.5/6.5	9.0/7.5/6.5	9.0/7.5/6.5	9.0/7.5/6.5	9.0/7.5/6.5
120	144	8.5/7.5/6.5	8.5/7.5/6.5	8.5/7.5/6.5	9.0/7.5/7.0	9.0/7.5/7.0	9.0/7.5/7.0	9.0/7.5/7.0	9.0/7.5/7.0	9.0/7.5/7.0	9.0/7.5/7.0	9.0/7.5/7.0

2 x 15 ARRAY

ASCE 7-05	ASCE 7-10	0	5	10	15	20	25	30	35	40	45	50
90	108	8.0/7.0/6.0	8.0/7.0/6.0	8.0/7.0/6.0	8.5/7.0/6.5	8.5/7.0/6.5	8.5/7.5/6.5	8.0/7.0/6.0	8.0/7.0/6.0	8.5/7.0/6.5	8.5/7.0/6.5	8.5/7.0/6.5
100	120	8.5/7.0/6.5	8.5/7.0/6.5	8.5/7.0/6.5	8.5/7.0/6.5	8.5/7.0/6.5	8.5/7.0/6.5	8.5/7.0/6.5	8.5/7.0/6.5	8.5/7.0/6.5	8.5/7.5/6.5	8.5/7.5/6.5
110	132	8.5/7.5/6.5	9.0/7.5/6.5	9.0/7.5/6.5	9.0/7.5/6.5	9.0/7.5/6.5	9.0/7.5/7.0	9.0/7.5/7.0	9.0/7.5/7.0	9.0/7.5/7.0	9.0/7.5/6.5	9.0/7.5/6.5
120	144	8.5/7.5/6.5	8.5/7.5/6.5	8.5/7.5/6.5	9.0/7.5/7.0	9.0/7.5/7.0	9.0/7.5/7.0	9.0/7.5/7.0	9.0/7.5/7.0	9.0/7.5/7.0	9.0/7.5/7.0	9.0/7.5/7.0

2 x 16 ARRAY

ASCE 7-05	ASCE 7-10	0	5	10	15	20	25	30	35	40	45	50
90	108	8.5/7.5/6.5	8.5/7.5/6.5	8.5/7.5/6.5	8.5/7.0/6.5	8.5/7.0/6.5	8.5/7.5/6.5	8.0/7.0/6.0	8.0/7.0/6.0	8.5/7.0/6.5	8.5/7.0/6.5	8.5/7.0/6.5
100	120	8.0/7.0/6.0	8.0/7.0/6.0	8.0/7.0/6.0	8.5/7.0/6.5	8.5/7.0/6.5	8.5/7.0/6.5	8.5/7.5/6.5	8.5/7.5/6.5	8.5/7.5/6.5	8.5/7.5/6.5	