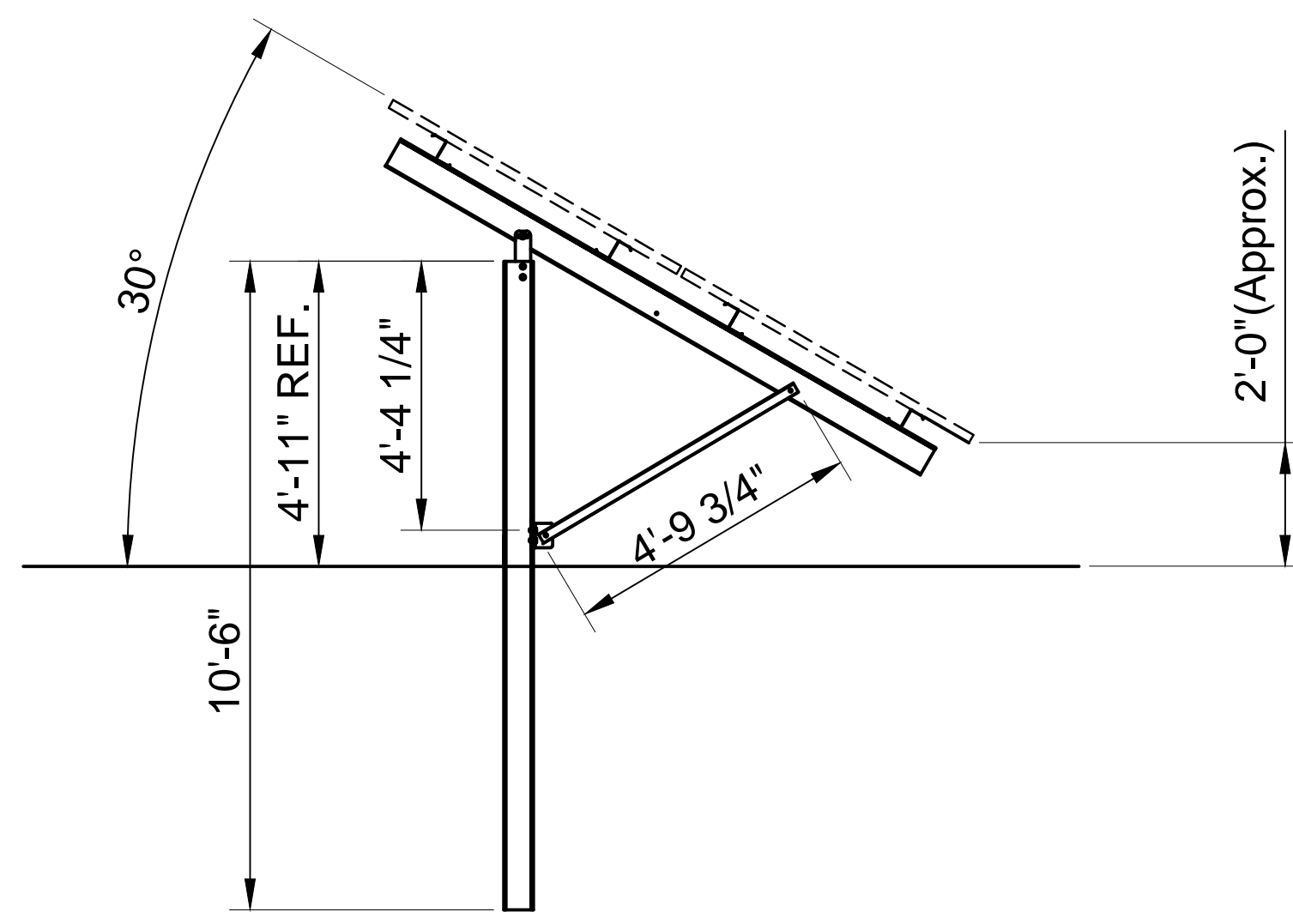


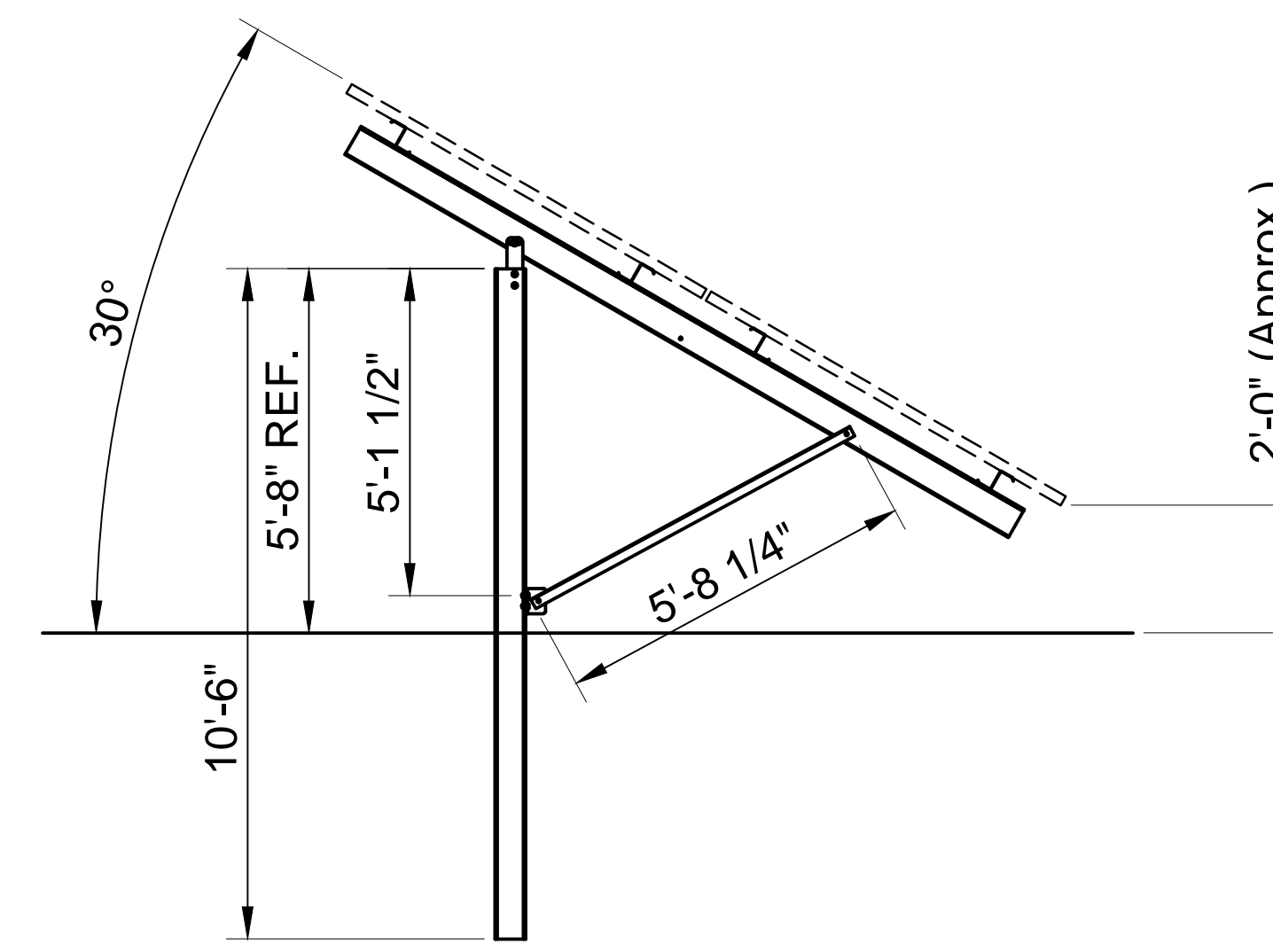
REVISIONS					
SYM	DESCRIPTION	DRAWN	CHECKED	APPROVED	DATE
-	RELEASED FOR PROPOSAL	TJS	RGC	KM	11/24/14

GENERAL NOTES

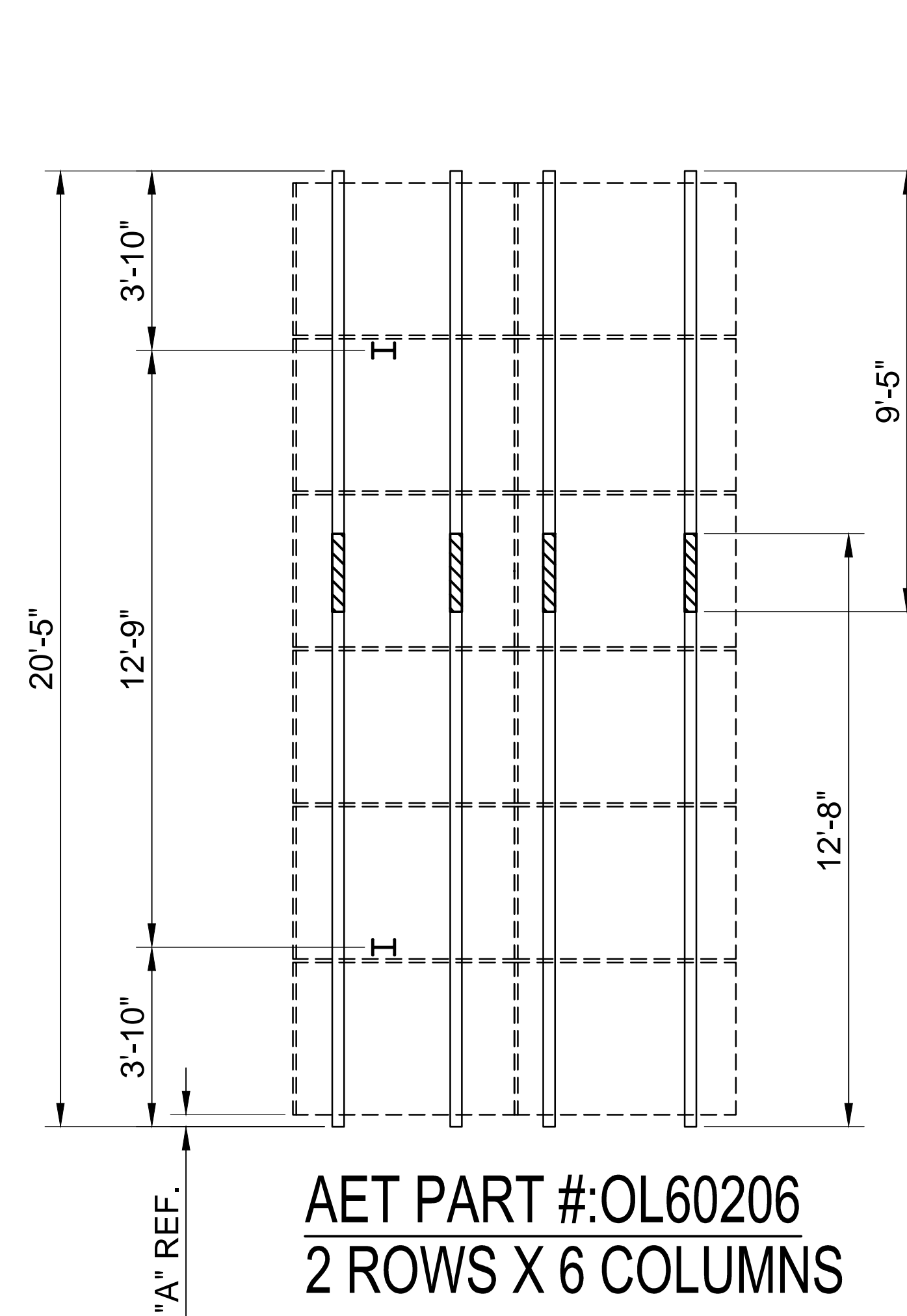
- THIS DRAWING CONTAINS CONFIDENTIAL INFORMATION AND IS ISSUED IN CONFIDENCE ON THE CONDITIONS THAT IT BE RETURNED ON DEMAND AND NOT BE COPIED, REPRODUCED, DISCLOSED TO OTHERS OR USED IN THE MANUFACTURE OF THE SUBJECT-MATTER THEREOF WITHOUT THE CONSENT OF APPLIED ENERGY TECHNOLOGIES.
- THIS LAYOUT IS AN APPROXIMATION AND IS INTENDED FOR QUOTING PURPOSES ONLY. ACTUAL SYSTEM SIZE, AND/OR LOCATION OF RACKING MAY VARY. IT IS THE RESPONSIBILITY OF THE INSTALLER TO CONFIRM THAT THE LOCATION OF THE RACKING DOES NOT INTERFERE WITH OR BECOME SHADED BY ANY OBSTRUCTIONS. AET ASSUMES NO RESPONSIBILITY OF THE RACKING CONFIGURATION.
- CONTRACTORS ARE TO VERIFY ALL DIMENSIONS AND CONDITIONS IN THE FIELD AND REPORT ANY AND ALL DISCREPANCIES TO AET PRIOR TO CONSTRUCTION / INSTALLATION.



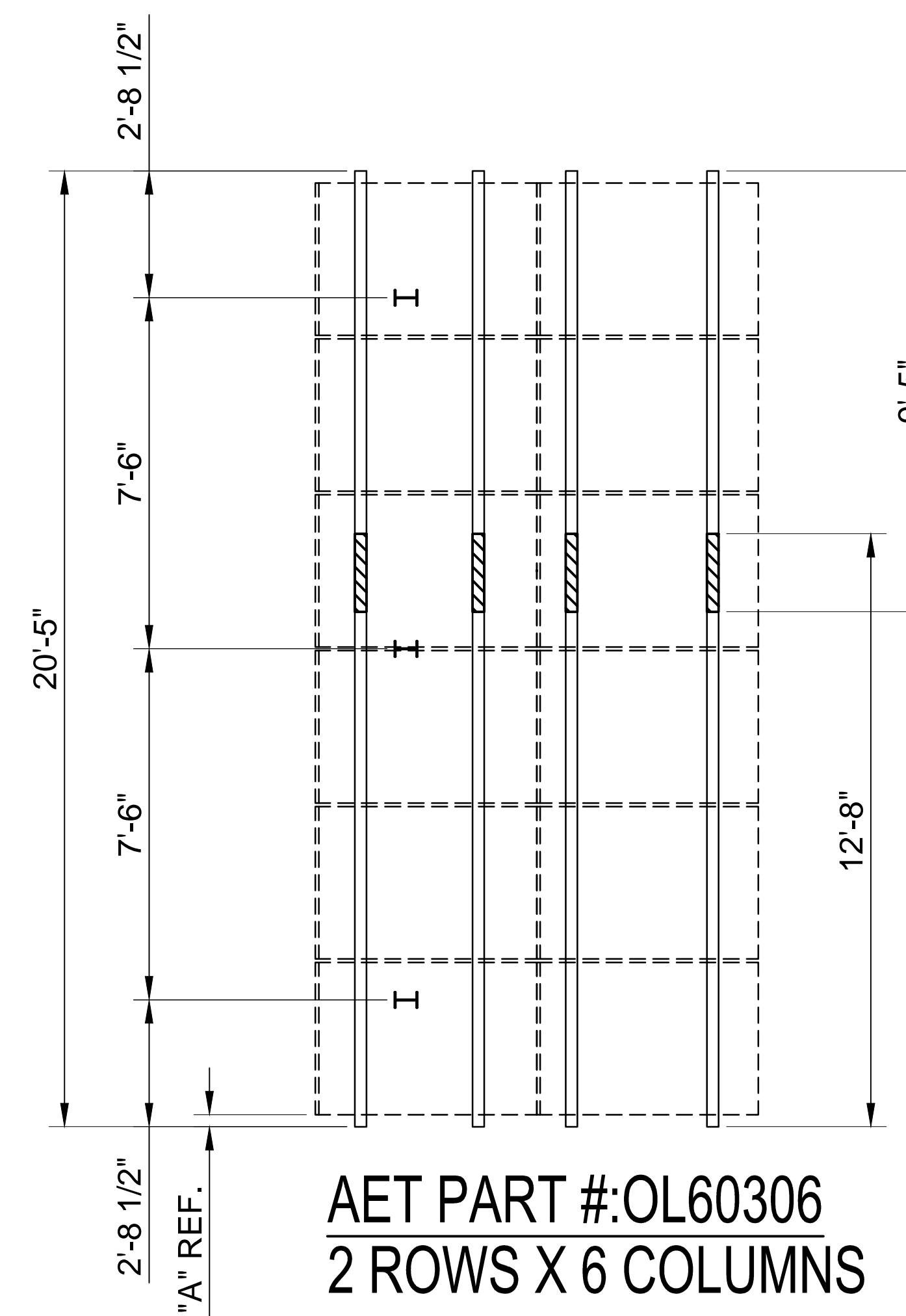
SIDE VIEW - 60 CELL MODULE



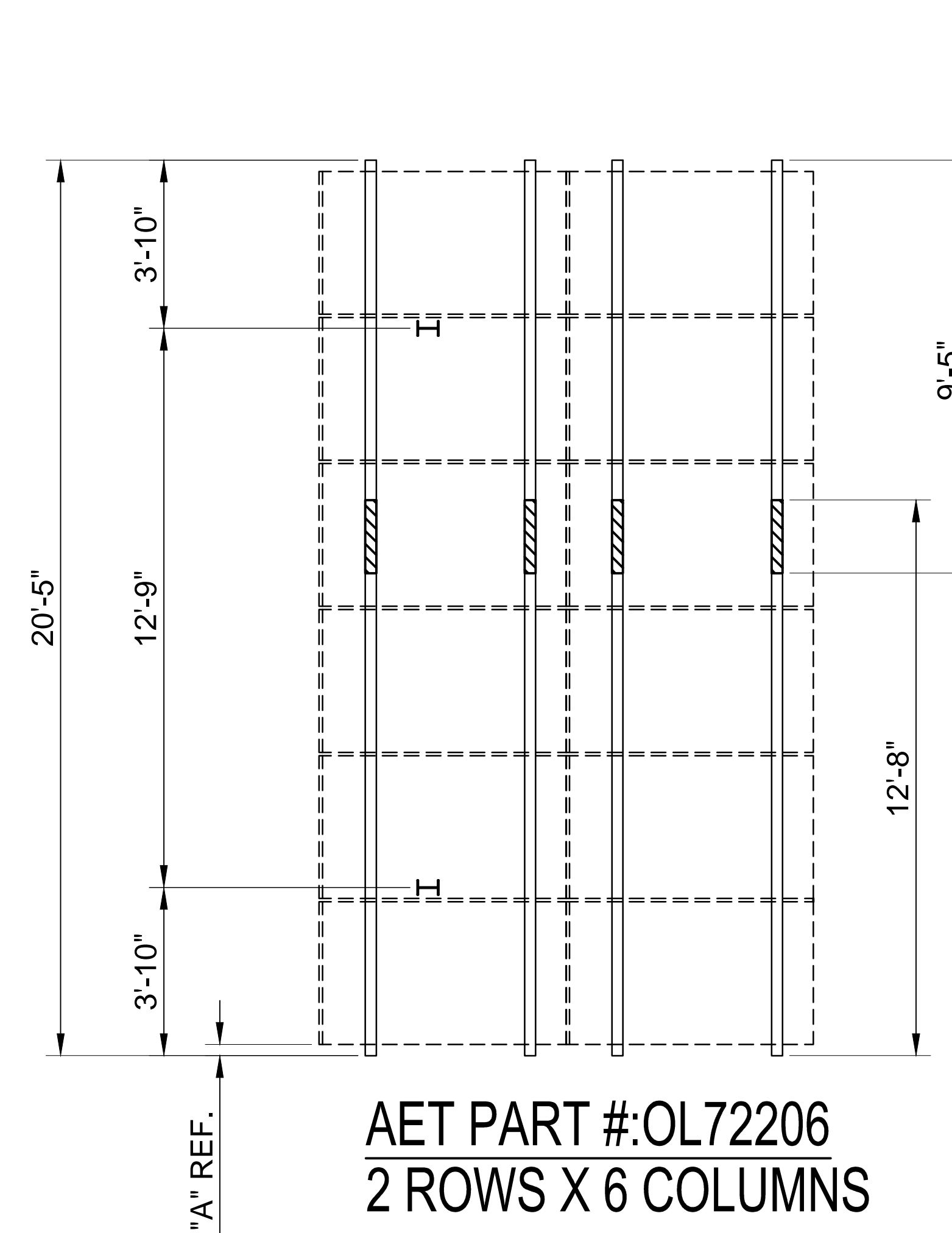
SIDE VIEW - 72 CELL MODULE



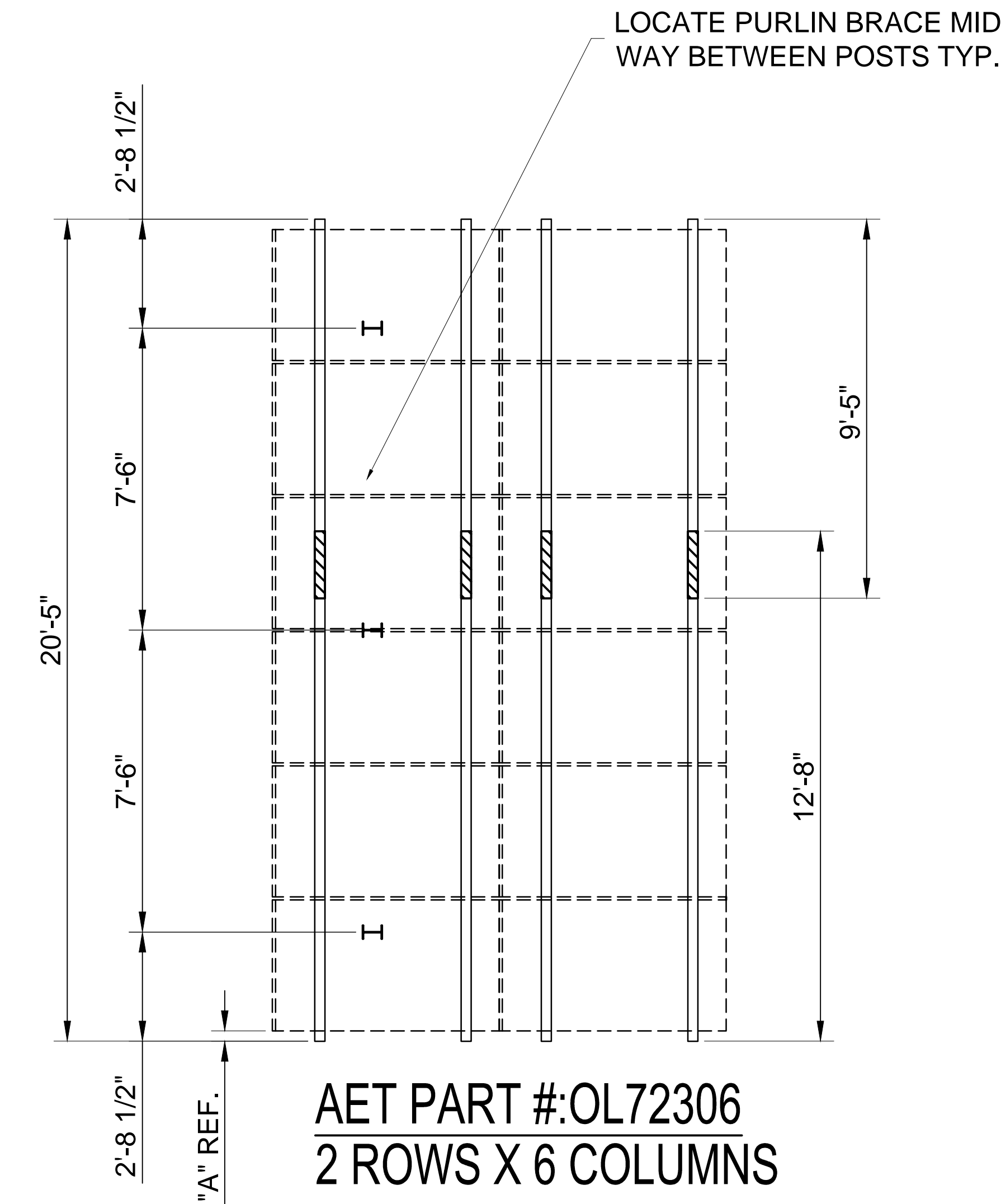
AET PART #:OL60206
2 ROWS X 6 COLUMNS
2 POSTS
60 CELL MODULE



AET PART #:OL60306
2 ROWS X 6 COLUMNS
3 POSTS
60 CELL MODULE



AET PART #:OL72206
2 ROWS X 6 COLUMNS
2 POSTS
72 CELL MODULE



AET PART #:OL72306
2 ROWS X 6 COLUMNS
3 POSTS
72 CELL MODULE

Applied Energy Technologies
Engineered Solar Mounting Solutions

22367 STARKS DRIVE
CLINTON TOWNSHIP, MI 48036

586-466-5073 MAIN
586-466-5074 FAX

www.AETenergy.com

ENGINEER SEAL:

NOTE:
PROVIDED ENGINEERING DOCUMENTS AND/OR ENGINEER SEAL ABOVE ARE FOR THE CERTIFICATION OF THE RACKING SYSTEM AND ITS RESISTANCE TO WIND LOADS. THIS IS NOT A CERTIFICATION OF THE STRUCTURAL CAPACITY OF THE BUILDING TO TAKE THE BALLASTED LOAD PLUS EQUIPMENT WEIGHT.

CUSTOMER:

PROJECT NAME:

PROJECT LOCATION:

MODULE:

OUTPUT:

SYSTEM:

RACKING:

AET RAYPORT G ECO

DO NOT SCALE DRAWING
REPORT ALL DISCREPANCIES

DRAWN: TJS
CHECKED: RGC
APPROVED: JEK
DATE: 11/24/14

DRAWING DESCRIPTION:
2 ROWS X 6 COLUMNS
ARRAY

SHEET NUMBER:
1 of 1

DRAWING NUMBER: REVISION:

BILL OF MATERIAL					
AET PART NO.	DESCRIPTION	OL72206	OL72306	OL60206	OL60306
-	SOLAR MODULE (NOT INCLUDED)	12	12	12	12
-	GND MNT SYSTEM 2x6 ARRAY (12 MODULES)	1	1	1	1
81148-102	Z-PURLIN - 102" OR 8'-6" LONG	X	X	X	X
81148-113	Z-PURLIN - 113" OR 9'-5" LONG	4	4	4	4
81148-141	Z-PURLIN - 141" OR 11'-9" LONG	X	X	X	X
81148-152	Z-PURLIN - 152" OR 12'-8" LONG	4	4	4	4
81069	POST - W6 X 7 10'-6" LONG	2	3	2	3
81039	PLATE - POST TO Z-STRUT CONNECTOR	2	3	2	3
81072-144	Z-STRUT - 12" LONG FOR 72 CELL MODULE	2	3	X	X
81072-120	Z-STRUT - 10" LONG FOR 60 CELL MODULE	X	X	2	3
81011	L-BRACKET - POST TO STRUT BRACE	2	3	2	3
81013	PURLIN BRACE - 12" LONG	1	2	X	X
81012	PURLIN BRACE - 10" LONG	X	X	1	2
81349-68.25	STRUT BRACE - 68.25" LONG FOR 72 CELL MODULE	2	3	X	X
81349-57.75	STRUT BRACE - 57.75" LONG FOR 60 CELL MODULE	X	X	2	3
80918	NUT - 1/2" - 13 HEX	14	21	14	21
81026	BOLT 1/2"-13 X 1.25"	8	12	8	12
80921	CARRIAGE BOLTS - 1/2"-13 X 1.25"	6	9	6	9
80911	BOLT - 3/8" X 1"	24	24	24	24
80682	WASHER - 3/8" HARDENED	48	48	48	48
80686	NUT - 3/8" GRADE 8	24	24	24	24
80687	FLAT HARDENED WASHER - 1/2"	22	33	22	33
81024	FLANGE NUT - 1/4"-20	20	32	20	32
81023	SCREW - 1/4"-20 DRILL POINT	20	32	20	32
81016	MID CLAMP ASM	20	20	20	20
81022	END CLAMP ASM	8	8	8	8

ASCE WIND SPEEDS		GROUND SNOW LOAD (PSF)										
7-05	7-10*	0	5	10	15	20	25	30	35	40	45	50
90	108	2	2	2	2	2	2	2	2	3	3	3
100	120	2	2	2	2	2	2	2	3	3	3	3
110	132	2	2	2	2	2	3	3	3	3	3	3
120	144	3	3	3	3	3	3	3	3	3	3	3

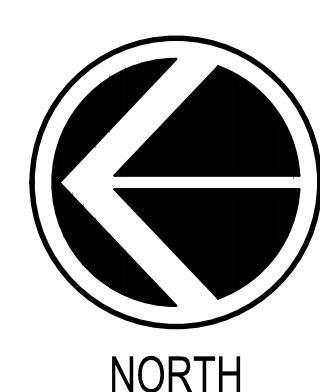
POSTS PER ARRAY - 60 CELL MODULE

ASCE WIND SPEEDS		GROUND SNOW LOAD (PSF)										
7-05	7-10*	0	5	10	15	20	25	30	35	40	45	50
90	108	2	2	2	2	2	2	2	3	3	3	3
100	120	2	2	2	2	3	3	3	3	3	3	3
110	132	3	3	3	3	3	3	3	3	3	3	3
120	144	3	3	3	3	3	3	3	3	3	3	3

POSTS PER ARRAY - 72 CELL MODULE

PANEL WIDTH (mm)	"A" (in.)
982	4.50
986	4.00
990	3.50
991	3.25
992	3.25
993	3.00
994	3.00
999	2.25
1000	2.25
1001	2.25

DIMENSION "A"



NORTH