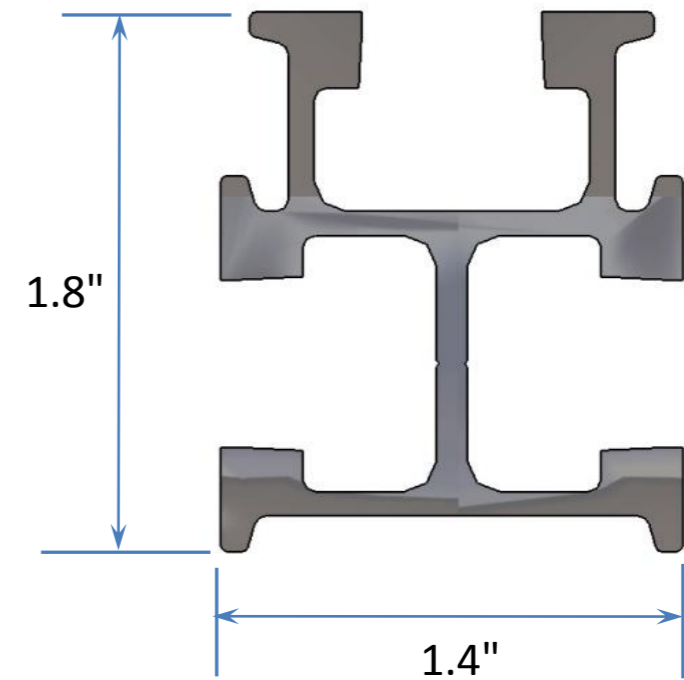


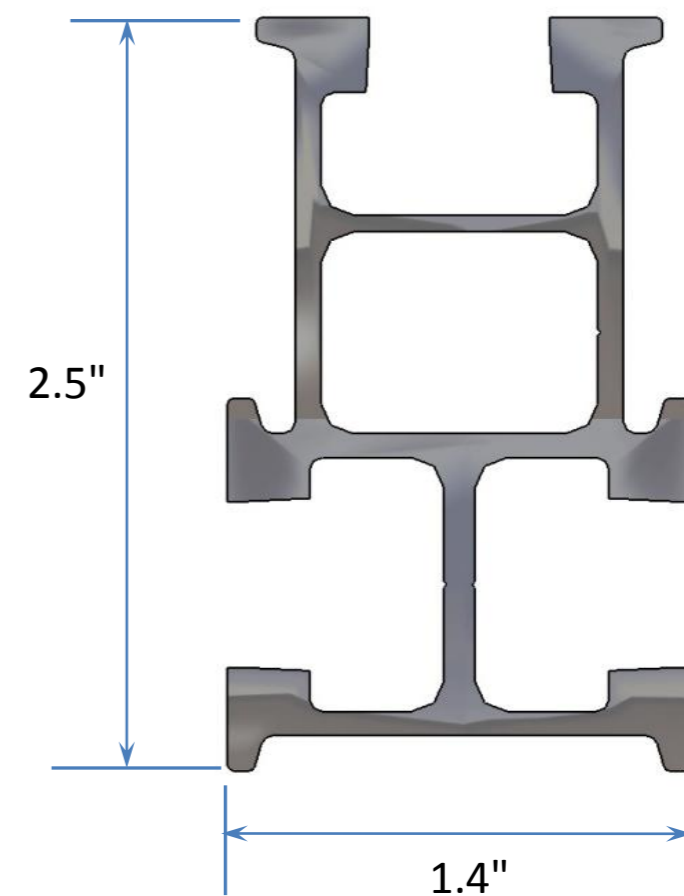
AET 1.8 Pitched Roof Rail

Building Height	Roof Pitch	Ground Snow Load	Wind Speed (Nominal 3-Sec. Gust in mph)			
			90	105	120	150
20 ft. or Less	20° or Less	0 psf	6	6	6	4
		0 - 10 psf	4	4	4	2
		11- 30 psf	2	2	2	2
	21° to 27°	0 psf	6	6	4	4
		0 - 10 psf	4	4	2	2
		11- 30 psf	2	2	2	2
	28° to 45°	0 psf	6	4	4	2
		0 - 10 psf	4	2	2	2
		11- 30 psf	2	2	2	2
21 ft. to 40 ft.	20° or Less	0 psf	6	6	6	4
		0 - 10 psf	4	4	4	2
		11- 30 psf	2	2	2	2
	21° to 27°	0 psf	6	6	4	2
		0 - 10 psf	4	4	2	2
		11- 30 psf	2	2	2	2
	28° to 45°	0 psf	6	4	4	2
		0 - 10 psf	4	2	2	2
		11- 30 psf	2	2	2	2



AET 2.5 Pitched Roof Rail

Building Height	Roof Pitch	Ground Snow Load	Wind Speed (Nominal 3-Sec. Gust in mph)			
			90	105	120	150
20 ft. or Less	20° or Less	0 psf	8	8	6	6
		0 - 10 psf	6	6	6	4
		11- 30 psf	4	4	4	4
		31 - 50 psf	2	2	2	2
	21° to 27°	0 psf	8	8	6	6
		0 - 10 psf	6	6	6	4
		11- 30 psf	4	4	4	4
		31 - 50 psf	4	2	2	2
	28° to 45°	0 psf	8	6	6	4
		0 - 10 psf	6	6	4	4
		11- 30 psf	4	4	4	2
		31 - 50 psf	4	4	4	2
21 ft. to 40 ft.	20° or Less	0 psf	8	8	6	6
		0 - 10 psf	6	6	6	4
		11- 30 psf	4	4	4	2
		31 - 50 psf	2	2	2	2
	21° to 27°	0 psf	8	6	6	6
		0 - 10 psf	6	6	4	4
		11- 30 psf	4	4	4	2
		31 - 50 psf	4	2	2	2
	28° to 45°	0 psf	8	6	6	4
		0 - 10 psf	6	6	4	4
		11- 30 psf	4	4	4	2
		31 - 50 psf	4	4	4	2



*Maximum spans based on Exposure Category B

Common Roof Pitch Conversion

Pitch	3:12	4:12	5:12	6:12	8:12	12:12
Degrees	14.0°	18.4°	22.6°	26.6°	33.7°	45.0°