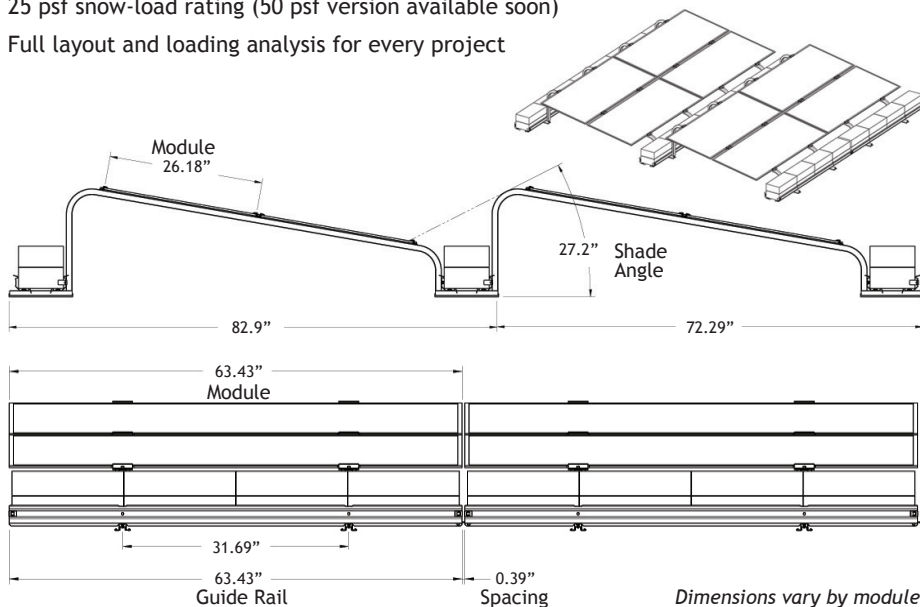


Rayport™ Frameless Module System

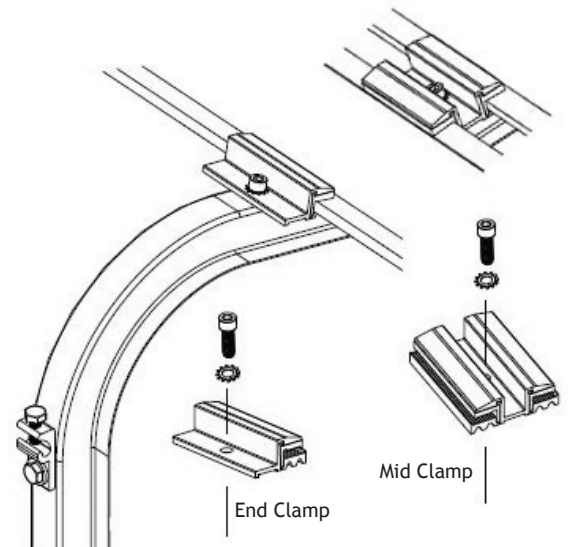
Benefits

- Engineered to support frameless glass modules
- Uniquely designed to hold two modules per set of rails
- The ONLY stainless steel roof ballast system available on the market
- Industry-leading installation time
- Racks include integrated fasteners allowing one common bolt for all joints
- Wind Tunnel tested to 120mph
- Simple Grounding - one grounding lug/tray installed every 20 rows
- Minimum part numbers to order
- No cutting or drilling required
- EPDM roof-contact surface
- 25 psf snow-load rating (50 psf version available soon)
- Full layout and loading analysis for every project



Engineered Solar Mounting Solutions

AET products are design-driven
– a perfect integration of form and function.



Specifications

- Module angle: Available from 0 to 10 degrees
- Module layout: Landscape two high
- Contact surface: EPDM feet
- System Dead Load: As low as 5 psf
- Warranty: 15-Year Limited Warranty