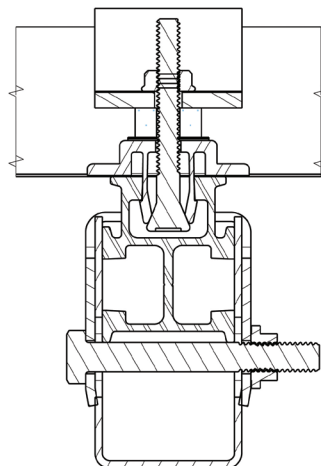
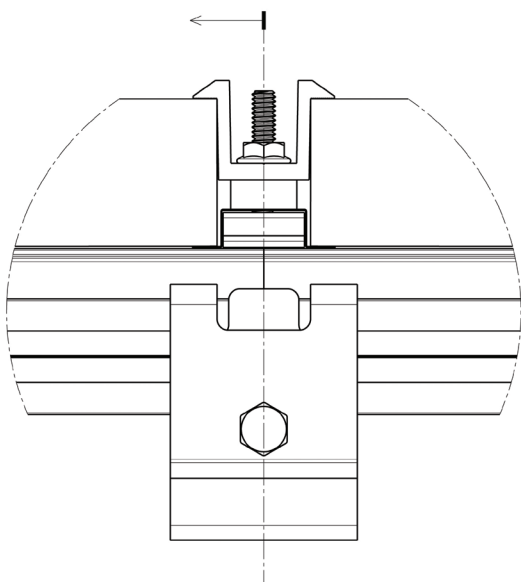


## T6 Pitched Roof PV Rail System

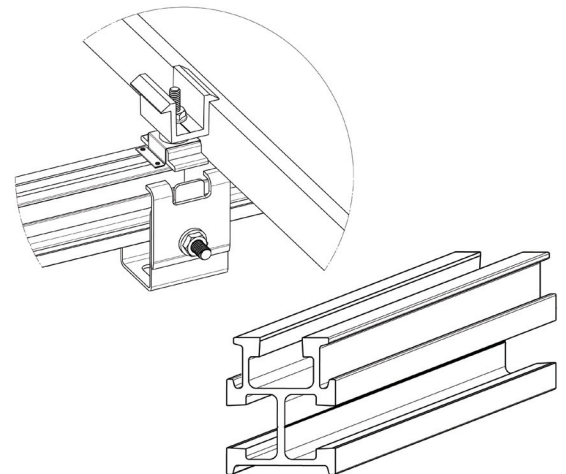
### Benefits

- Fits all major solar modules available today
- Only 5 parts to order
- Module grounding integrated into the mid clamp
- No drilling required
- Module attachment clamps install anywhere on the rail (top down installation)
- Attaches to most roof standoff systems
- Adjustable rail clamp accommodates for roof variation and installation alignment issues
- Unique splice brackets require NO HOLES in rails



### Engineered Solutions for Renewable Energy Systems

**AET products are design-driven**  
– a perfect integration of form and function.



### Specifications

- Clamps tested to over 1000 lbs pull-force
- Stainless Steel adjustable rail clamps
- 6063-T6 Aluminum rails and module clamps
- Rails available in mill-finish or clear anodized
- 15 year limited warranty